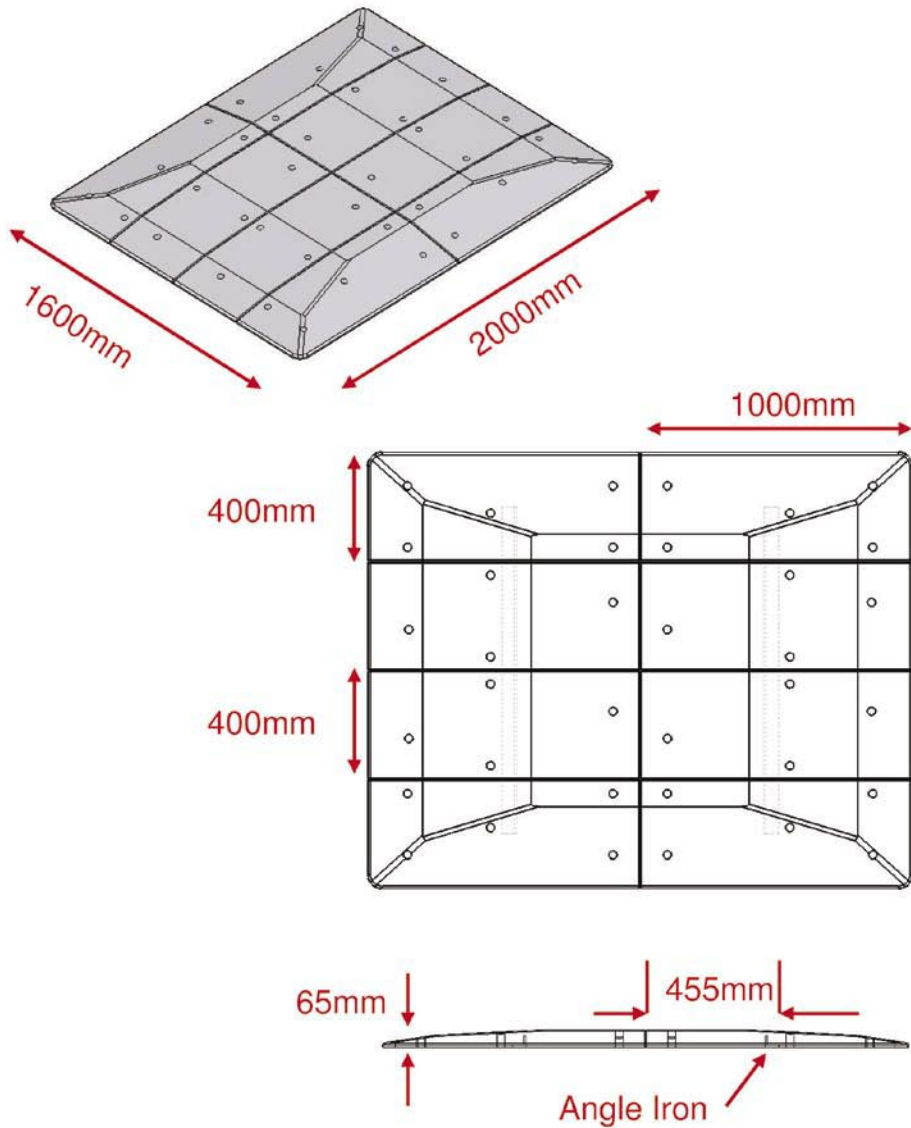


1600 x 2000 Surface 65 Speed Cushion



Complete Module Kits		
Component	Weight	Qty
Left Corner	16Kg	2
Right Corner	16Kg	2
400 Ramp	23Kg	4
Total Weight of Modules	156Kg	
M10 x 120mm Coach Screws		36
M10 Washers		36
Torx Screw		6
Rediplug		42
Bungs		36
Resin		2
Nozzles		4
Angle Iron 1140mm long	4Kg	2
Total Weight of Fixing Kit and Angle Iron	15Kg	
Total Weight of Kit	171Kg	

Hazard

Hazard
Brunel House
 55/57 Bristol Road
 Edgbaston
 Birmingham
 B5 7TU

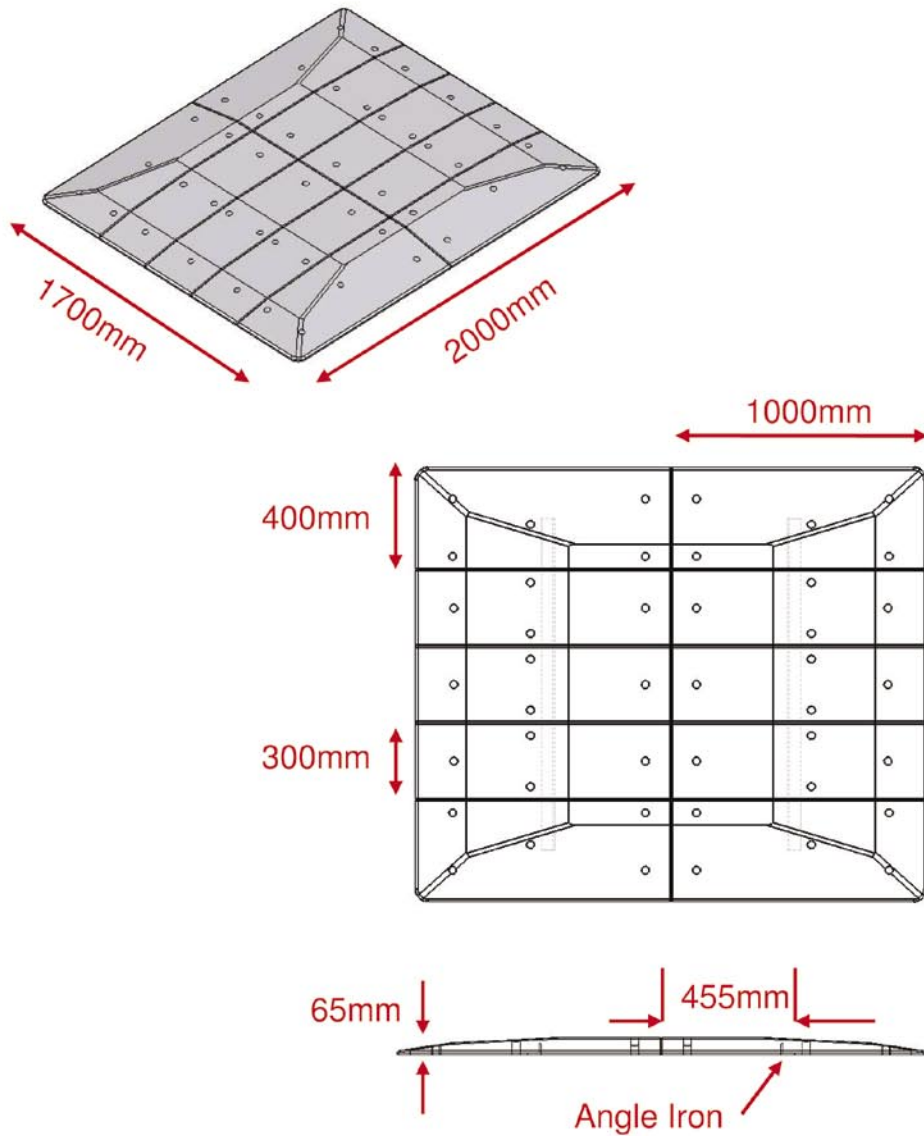
Tel: 0121 446 4433
 Fax: 0121 446 4230
 Website: www.hazard.co.uk
 email: sales@hazard.co.uk

EPDM Blend Rubber Specification

Test	Test Method	Limits
Tensile	BS903 A2	10.5 Mpa
Elongation	BS903 A2	300 % minimum
Hardness	BS903 A26	65 - 75 IRHD
Heat Ageing	7 days at 70 degrees C	
a)	Tensile retention	90% minimum
b)	Elongation retention	80% minimum
c)	Hardness change	+7 IRHD
Compression set	BS903 A6A	30% maximum 22 hours at 70 degrees C
Tear resistance	BS903 A3 method c	40 N/mm minimum
Material	EPDM/SBR/Natural Rubber +/- 10% unless Otherwise stated	

EPDM/SBR/Natural rubber blend.
 Filled with carbon black.
 The material has resistance to ultra violet light, ageing, sea water, fatigue and abrasion.
 The rubber is of uniform quality and free from foreign substances.

1700 x 2000 Surface 65 Speed Cushion



Complete Module Kits		
Component	Weight	Qty
Left Corner	16Kg	2
Right Corner	16Kg	2
300 Ramp	17Kg	6
Total Weight of Modules	166Kg	
M10 x 120mm Coach Screws		44
M10 Washers		44
Torx Screw		6
Rediplug		50
Bungs		44
Resin		2
Nozzles		4
Angle Iron 1240mm long	4.3Kg	2
Total Weight of Fixing Kit and Angle Iron	16Kg	
Total Weight of Kit	182Kg	

Hazard

Hazard
Brunel House
 55/57 Bristol Road
 Edgbaston
 Birmingham
 B5 7TU

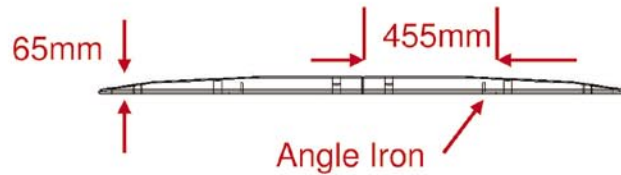
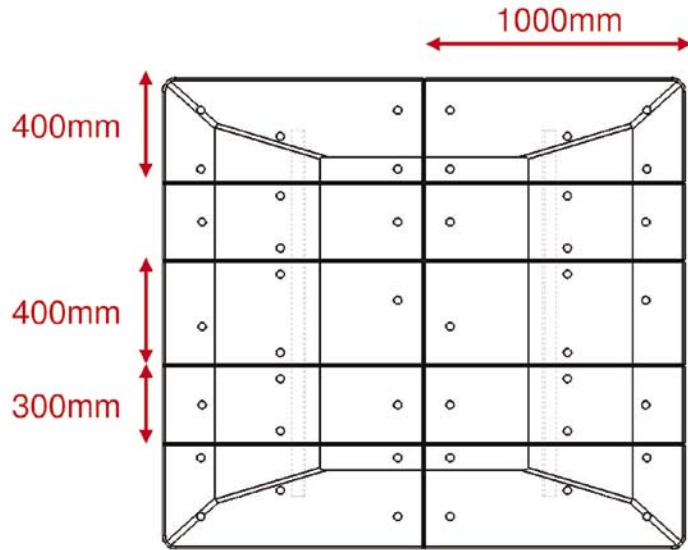
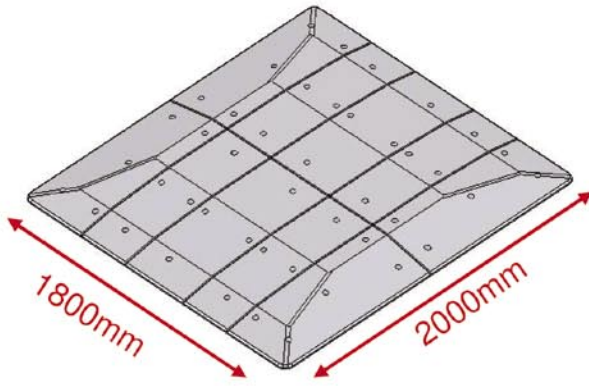
Tel: 0121 446 4433
 Fax: 0121 446 4230
 Website: www.hazard.co.uk
 email: sales@hazard.co.uk

EPDM Blend Rubber Specification

Test	Test Method	Limits
Tensile	BS903 A2	10.5 Mpa
Elongation	BS903 A2	300 % minimum
Hardness	BS903 A26	65 - 75 IRHD
Heat Ageing	7 days at 70 degrees C	
a)	Tensile retention	90% minimum
b)	Elongation retention	80% minimum
c)	Hardness change	+7 IRHD
Compression set	BS903 A6A	30% maximum 22 hours at 70 degrees C
Tear resistance	BS903 A3 method c	40 N/mm minimum
Material	EPDM/SBR/Natural Rubber +/- 10% unless Otherwise stated	

EPDM/SBR/Natural rubber blend.
 Filled with carbon black.
 The material has resistance to ultra violet light, ageing, sea water, fatigue and abrasion.
 The rubber is of uniform quality and free from foreign substances.

1800 x 2000 Surface 65 Speed Cushion



Complete Module Kits		
Component	Weight	Qty
Left Corner	16Kg	2
Right Corner	16Kg	2
300 Ramp	17Kg	4
400 Ramp	23Kg	2
Total Weight of Modules	178Kg	
M10 x 120mm Coach Screws		44
M10 Washers		44
Torx Screw		6
Rediplug		50
Bungs		44
Resin		2
Nozzles		3
Angle Iron 1340mm long	4.5Kg	2
Total Weight of Fixing Kit and Angle Iron	16Kg	
Total Weight of Kit	194Kg	

Hazard

Hazard
Brunel House
 55/57 Bristol Road
 Edgbaston
 Birmingham
 B5 7TU

Tel: 0121 446 4433
 Fax: 0121 446 4230
 Website: www.hazard.co.uk
 email: sales@hazard.co.uk

EPDM Blend Rubber Specification

Test Test Method Limits

Tensile BS903 A2 10.5 Mpa

Elongation BS903 A2 300 % minimum

Hardness BS903 A26 65 - 75 IRHD

Heat Ageing 7 days at 70 degrees C

- a) Tensile retention 90% minimum
- b) Elongation retention 80% minimum
- c) Hardness change +7 IRHD

Compression set BS903 A6A 30% maximum
 22 hours at 70 degrees C

Tear resistance BS903 A3 method c 40 N/mm minimum

Material EPDM/SBR/Natural Rubber +/- 10% unless
 Otherwise stated

EPDM/SBR/Natural rubber blend.

Filled with carbon black.

The material has resistance to ultra violet light,
 ageing, sea water, fatigue and abrasion.

The rubber is of uniform quality and free
 from foreign substances.